

## Cleaners Sink

The Cleaner's Sink from Stoddart Manufacturing is the safe cleaning solution for all commercial buildings.

It has a unique easy mount bracket to secure the unit to most walls without need for unsightly legs and keeps the floor area clear for better housekeeping and safety. Also available with legs.

The bowl comes complete with 90mm basket waste for catching solids and a strong hinged grate for supporting mop buckets.

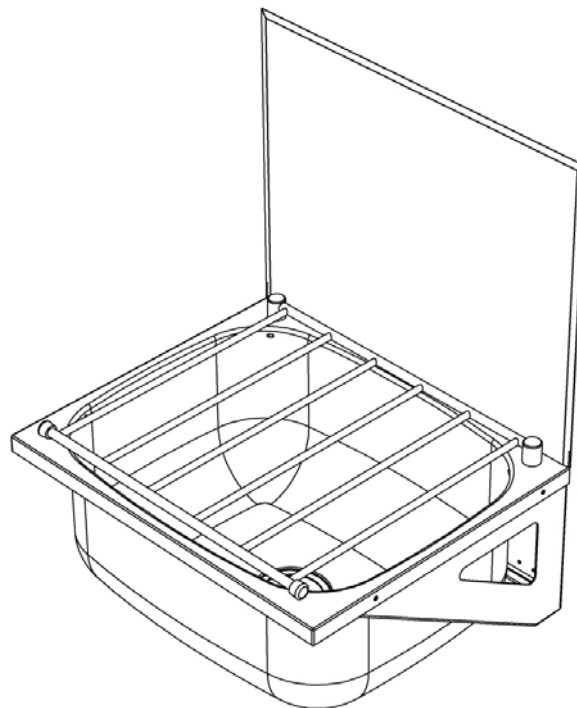
### Models:

#### SPPL.CS.xx.450

Code explanation:

SPPL = Standard Product Plumbing  
 CS = Cleaner's sink  
 xx = 01 – Easy mount wall mounting bracket and front legs  
       = 02 – Easy mount wall mounting bracket, no legs  
 450 = 450mm stainless steel splashback  
 e.g.: for specification and ordering

SPPL.CS.02.450



### Features and Benefits:

- New easy mount bracket for quick, secure mounting on to most walls to save valuable labour time, 304 grade stainless steel bracket can be ordered extra.
- Optional front legs can be ordered if unit is to be mounted non-structural walls.
- Welded steel grate has six bars for stable support of buckets while filling and draining.
- Highly polished, 44L capacity bowl is 235mm deep to reduce splashing.
- Strong, safe hinges allow grate to be lifted for access to bowl.
- Sound suppression pad under base of bowl reduces noise.
- Rolled edges for operator and installer safety.
- 90mm waste comes with a waste basket for catching solids.

# Cleaners Sink

### Specifications:

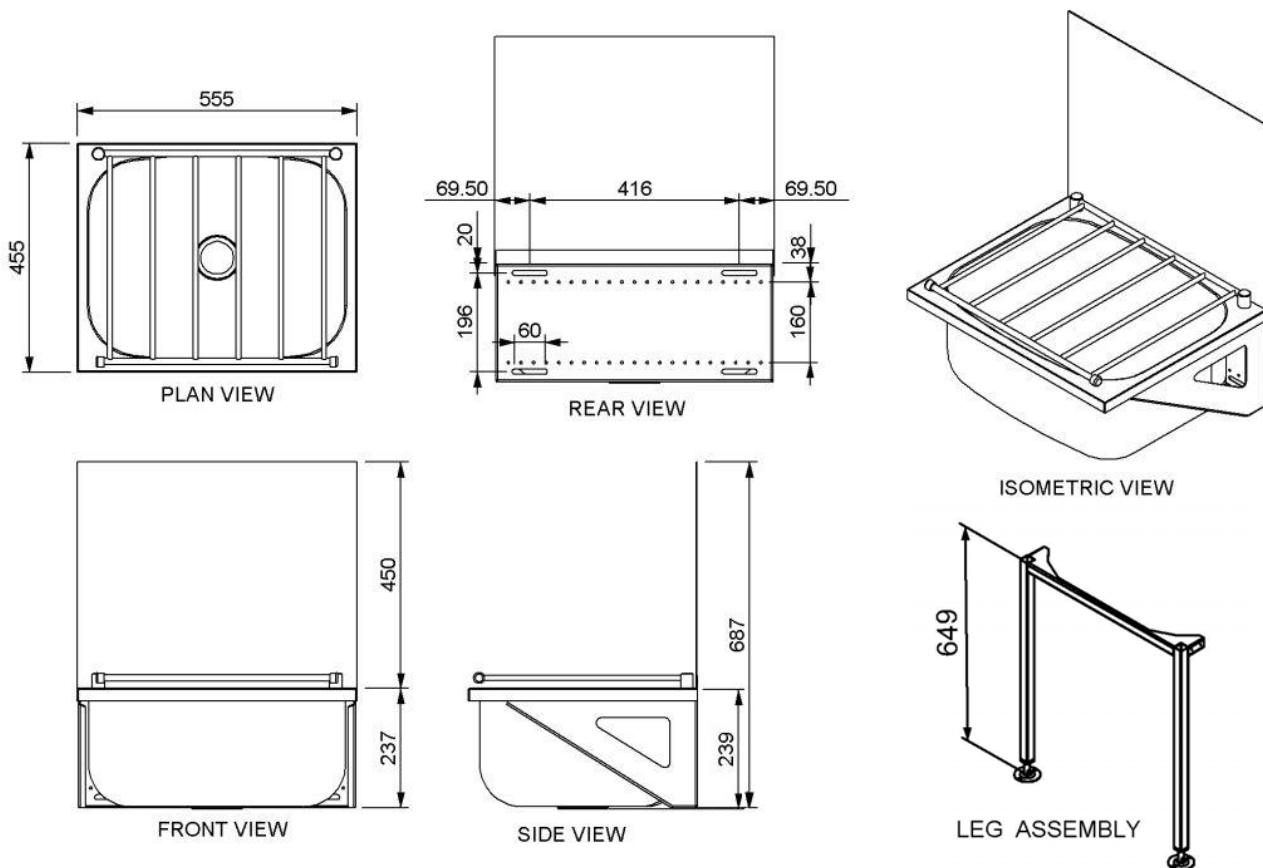
- Construction:** Fully welded seamless 1.2mm 304 grade stainless steel construction, no 4 satin finish.
- Waste Connection:** 90mm, supplied with basket waste.
- Unit Fixing:** Unit is supplied with heavy duty, easy mount bracket eliminating the need for ugly front legs, simplifying cleaning, front legs can be added if necessary.
- Splashback fixed to wall with commercial grade double sided tape.
- Recommended fixing height is 500-700mm from top of bowl to floor finished level. Legs are 649mm tall.

### Models:

**SPPL.CS.xx.450**

Code explanation:

- SPPL = Standard Product Plumbing
- CS = Cleaner's sink
- xx = 01 – Easy mount wall mounting bracket and front legs  
= 02 – Easy mount wall mounting bracket, no legs
- 450 = 450mm stainless steel splashback
- e.g.: for specification and ordering  
SPPL.CS.02.450



Model No.	Length (mm)	Width (mm)	Height (mm)
SPPL.CS.02.450	555	455	237 (687 with splashback)

Due to continuous product research and development, the information contained herein is subject to change without notification.